

**URIMAT eco****The bowl**

The bowl is a high-quality, heavy-duty special injection-moulded article (polycarbonate blend) with a thickness of 5 mm.

The pore-free surface and the addition of an antibacterial granulate prevent the development of bacteria and bad odours.

With only 4 kg URIMAT is a light weight among urinals, but still break-proof.

The patented shape of the bowl guarantees that URIMAT is one hundred percent back-spray-free, protecting clothing and the environment. This is achieved with an extremely strong negative curvature in the impact area and with the shape of the border of the bowl extending far to the front.

The user stands closer to the urinal, increasing the target accuracy.

This significantly reduces the maintenance cleaning and saves additional costs.

Colour: Sanitary white

Weight: 4 kg

Art.-No.: 15.001

## URIMAT ecoplus



### The bowl

#### **Infodisplay**

With display for the placement of advertising messages, the URIMAT ecoplus can be used to earn money too.

The bowl is a high-quality, heavy-duty special injection-moulded article (polycarbonate blend) with an original thickness of 5 mm.

The pore-free surface and the addition of an antibacterial granulate prevent the development of bacteria and bad odours.

With only 4 kg URIMAT is a light weight among urinals, but still break-proof.

The patented shape of the bowl guarantees that URIMAT is one hundred percent back-spray-free, protecting clothing and the environment. This is achieved with an extremely strong negative curvature in the impact area and with the shape of the border of the bowl extending far to the front.

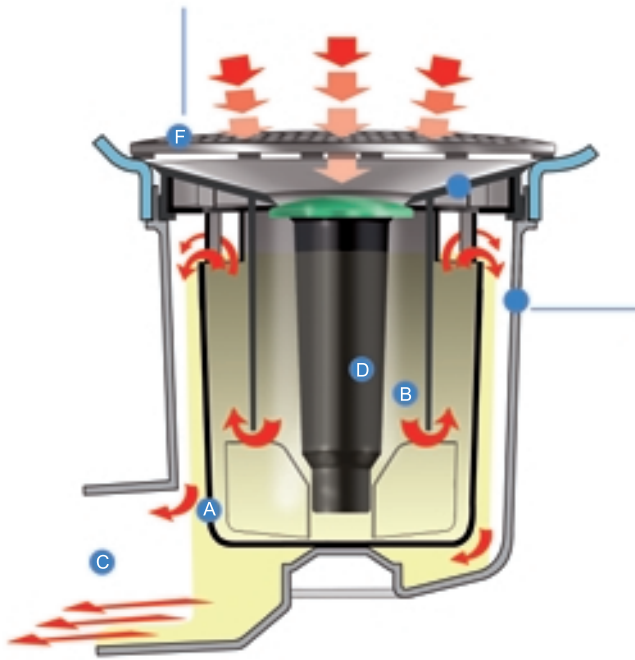
The user stands closer to the urinal, increasing the target accuracy.

This significantly reduces the maintenance cleaning and saves additional costs.

Colour: Sanitary white  
Weight: 4 kg  
Art.-No.: 16.001

## More than an idea: an invention

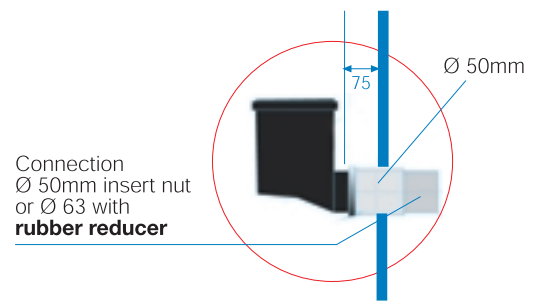
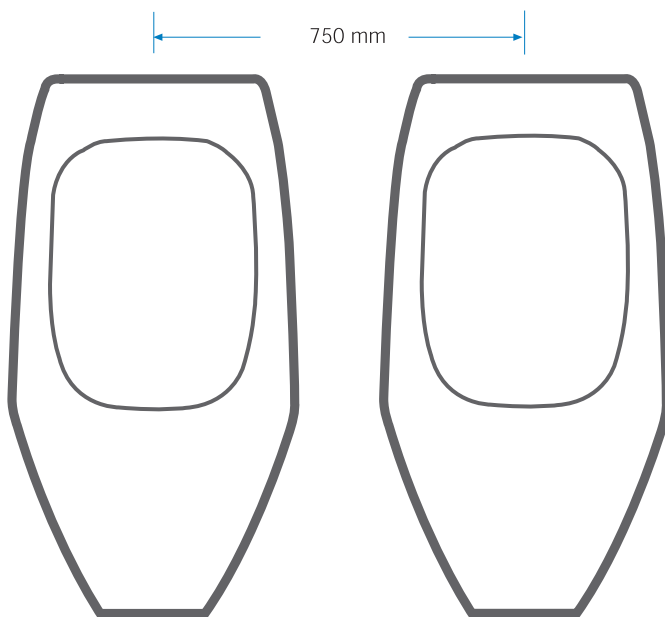
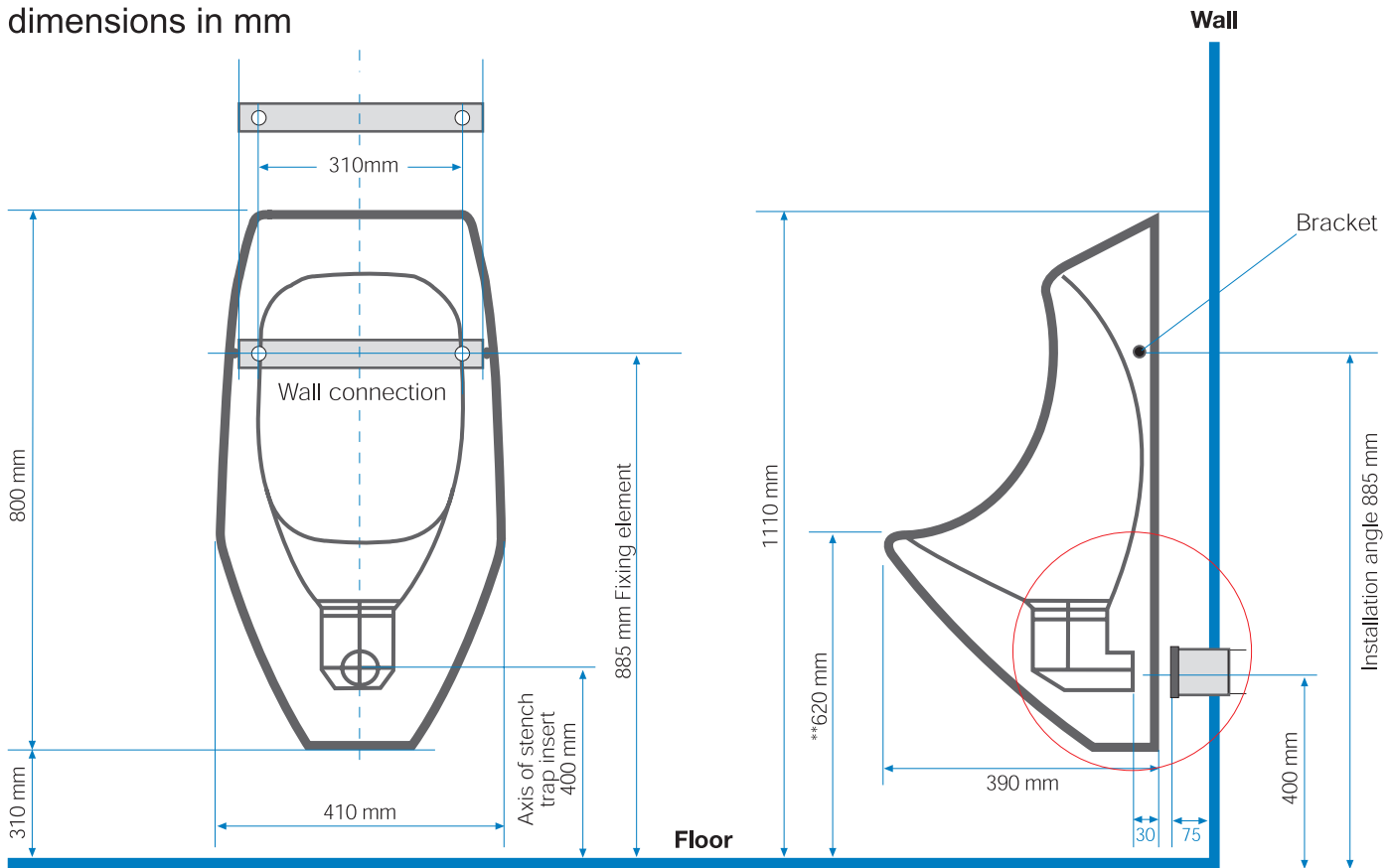
The patented exchangeable odour seal element used in the URIMAT collects the urine and discharges it (without using water) into the drainage system. The float seal (without a sealing liquid) prevents any odour developing.



- 1 The patented drain trap insert **A** guarantees the smooth operation without sealing liquid. It is inserted into the respective opening in the urinal.
- 2 The urine reaches the internal piece **B** of the drain trap. After arriving at the overflow height, it is transferred to overflow area **C** through the corresponding openings and diverted into the sewage system.
- 3 The intake of the drain tap is closed by float **D**.
- 4 The flexible sealing lip **E** keeps odours sealed in.

# Installation URIMAT ecoline

dimensions in mm



Montageset  
Art.-Nr. 57.001

## The accessories



**ABS-plastic sieve - white**  
Art.-No. 56.101



**ABS-plastic sieve - chrome**  
Art.-No. 56.102



**URIMAT fixing lip**  
PVC 57° grey  
Art.-No. 60.002



**Siphon**  
Art.-No. 50.101



**Siliconpaste 100g**  
Art.-No. 66.002



**Installation set for plastic urinal**  
Art.-Nr. 57.001



**Cover Sheet, Aluminium**  
100 x 100mm Art.-Nr. 49.001  
220 x 180mm Art.-Nr. 49.002  
250 x 259mm Art.-Nr. 49.003



**Info window remover. rubber**  
Art.-No. 66.001

## Product description

### URIMAT bowls made of polycarbonate blend

#### Bowl shape

1. URIMAT is shaped in such a way that the concavity of the “impact zone” prevents splashing.
2. The rim of the bowl was deliberately brought forward to increase bowl depth. The advantage of this is that the user is forced to stand further away from the wall and so will not have the feeling that he is about to knock his head against the wall. As this, in turn, will make him more likely to stand closer to the bowl, his aim is likely to be better, which in turn will prevent any unnecessary splashing onto the rim. Dripping onto the floor during or after urination is also much less likely. All these advantages reduce the need for cleaning and hence lower costs.

#### Materials.

Our bowls are made of a quality polycarbonate blend that is tough enough to withstand all the usual cleaning agents. This applies even to standard household chemicals (with the exception of one or two agents – especially those containing solvents).

The special plastic blend our bowls are made of produces a very smooth, pore-free surface which neither urine nor bacteria can penetrate. The ultra-smooth, insulating surface is also highly water-repellent, which means that the urine drains off without leaving any residues to speak of. What residual urine there is can be removed very easily without any additional cleaning costs. As long as the urinals are cleaned once a day according to our cleaning instructions, we guarantee perfect hygiene, a permanently shiny surface and no discoloration.

As the surface material is 5 mm thick, even deep scratches can be corrected easily. Surface damage can be touched up in a matter of minutes using a special grinding and polishing paste.